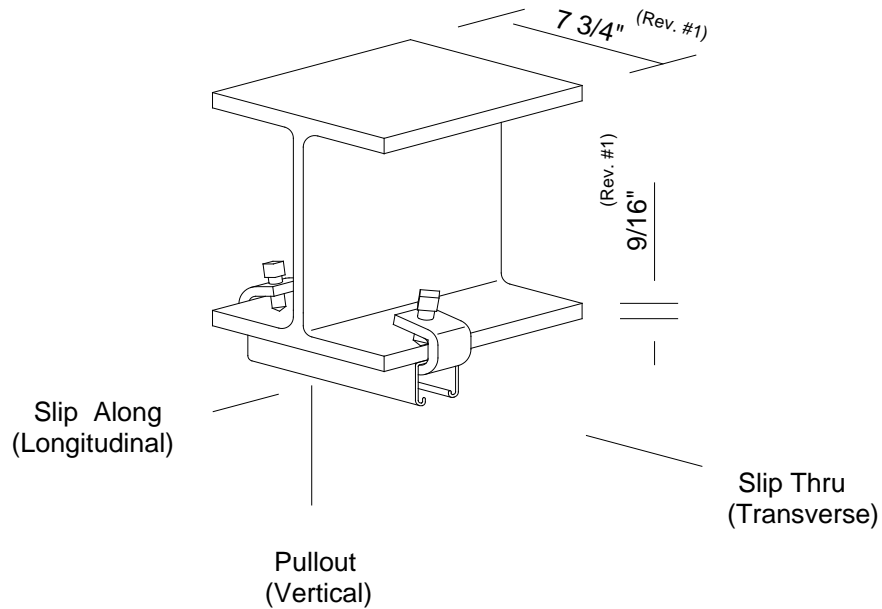


Part Description: P1985 S Beam Clamps
Report Date: May 14, 2008



Average Ultimate Load (lbs)			Allowed Load (lbs)		
Pullout	Slip Along	Slip Thru	Pullout	Slip Along	Slip Thru
7,500	4,900	2,900	1,000	900	500

NOTES

1. Ultimate Loads from Test Report C-121
2. Average Minimum Safety Factor of 5
3. Allowed Loads are for a 2 clamp installation
4. Must Use Clamps in Pairs

