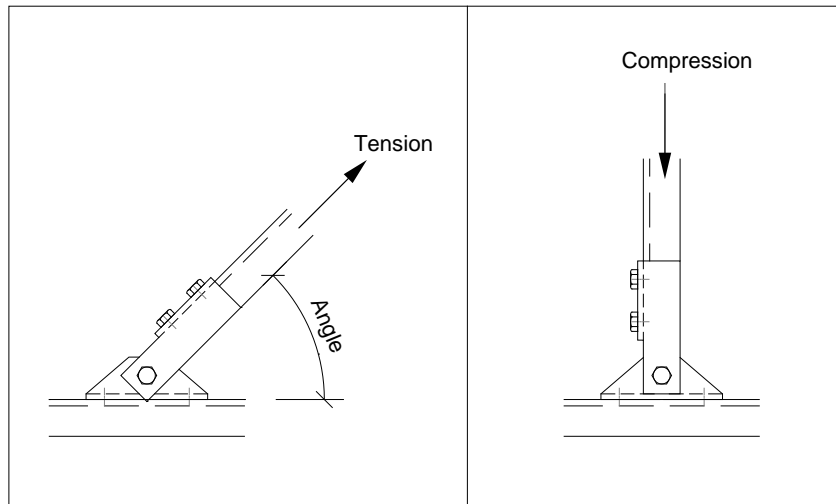


DESIGN LOAD REPORT

Part Description: P2815
Report Date: December 13, 2005



Load	Angle	Ave. Ultimate Load (lbs)	Design Load (lbs)
Tension	30°	10,600	3,000
	45°	9,840	
	60°	10,400	
Compression	90°	10,380	

NOTES

1. Average Ultimate Tension Loads from Test Report C-49
2. Ultimate Compression Load from Test Report C-49A for a Single Test
3. Safety Factor of 3 for Design Load
4. Tests used (2) 1/2"-13 channel nuts and cap screws torqued to 50 ft-lbs
5. Design Load limited by the Slip Load of (2) 1/2"-13 Channel Nuts
6. Test Report C-49 states that the 3,000 lb Design Tension Load is valid for all angles of installation

Unistrut Engineering