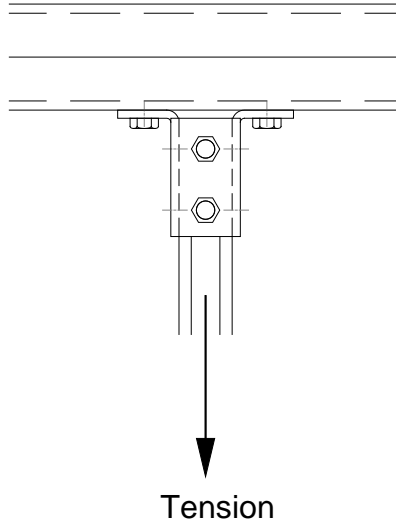


Part Description: P2346  
Report Date: September 9, 2005



Ave. Ultimate Tension (lbs)	Design Tension Load (lbs)	Ave. Deflection at Design Tension Load
8,400	2,800	0.092"

**NOTES**

1. Ave. Ultimate Load from Test Report C-127
2. Testing Based on 1/2"-13 Channel Nut & Cap Screw Torqued to 50 ft-lbs
3. Minimum Safety Factor of 3 on Average Ultimate Tension Load
4. Deflection is the Straight Line Interpolation of the Average Deflection Readings at 2,000 lbs and 3,000 lbs
5. Deflection is Measured in the Direction of the Tension Load

Unistrut Engineering