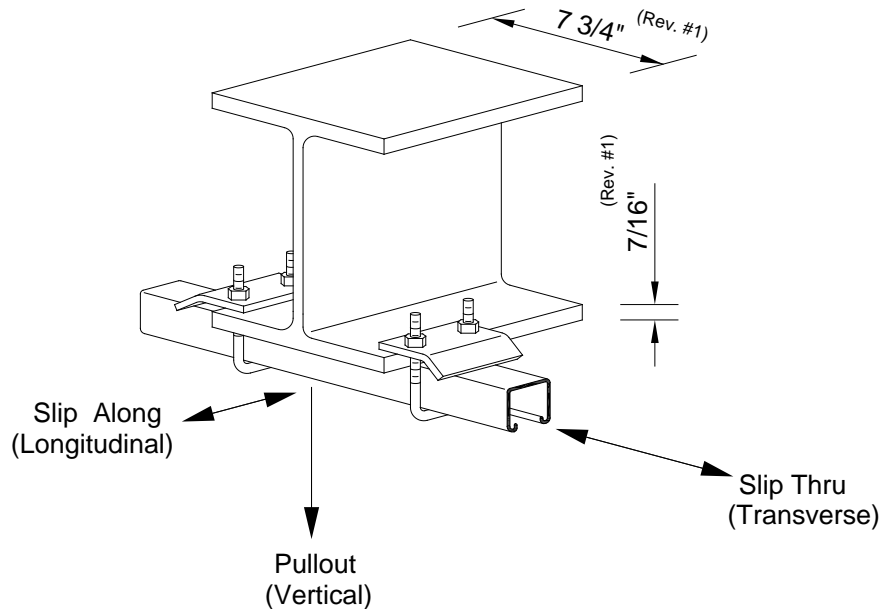


DESIGN LOAD REPORT

Part Description: P2785 Beam Clamps
Report Date: May 14, 2008



Average Ultimate Loads (lbs)			Allowed Loads (lbs)		
Pullout	Slip Along	Slip Thru	Pullout	Slip Along	Slip Thru
11,300	2,900	6,300	2,000	500	1,200

NOTES

1. Ultimate Loads from Test Book #16, Page 34 & Test Report C-121A
2. Average Minimum Safety Factor of 5
3. Allowed Loads are for a 2 clamp installation
4. Must Use Clamps in Pairs

Unistrut Engineering